

- Shell width 48mm, Light lengths available with 200/400/600/800mm
- High performance LED package, high thermal conductivity, low glare, low light decay
- Alumina housing with anodizing surface, durable glass window, waterproof and dustproof up to IP67
- Cascadable models, the maximum number of cascadable lights up to 8pcs when the input 24V
- Mounting brackets with angle adjustable
- Easy installation: 4-pin M12 quick-disconnect models



ALT48	W	200	-	M	-	XXX
1	2	3		4		5

1. Series Name

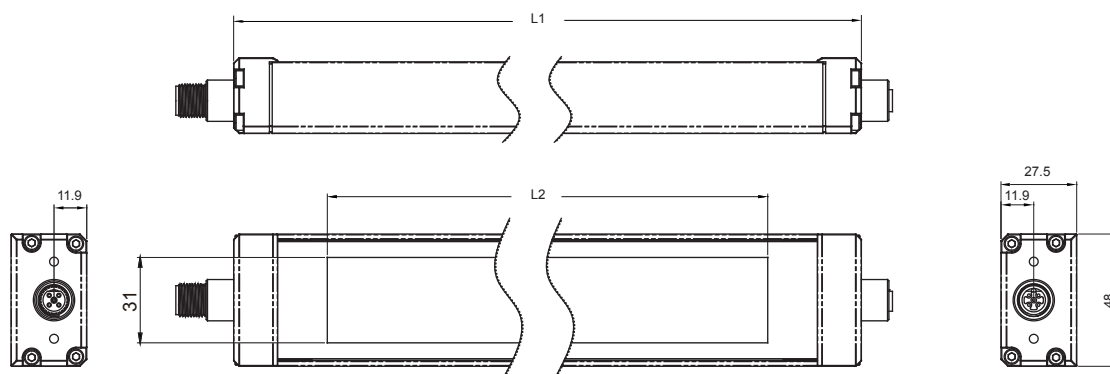
2. LED Color, W - Cool White 5700K, WW - Warm White 3500K, WP - Pure white 4000K

3. Light body length (mm): 200mm, 400mm, 600mm, 800mm

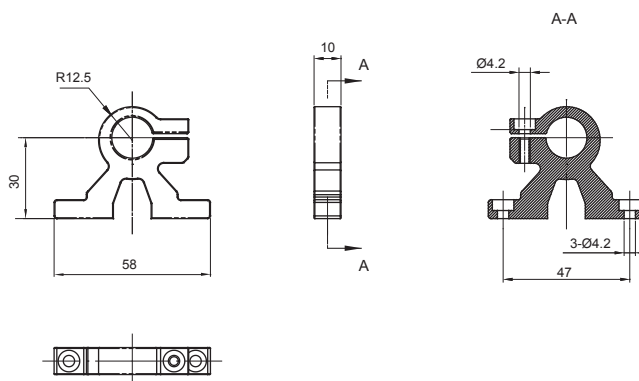
4. Window material, Blank - transparent mask, M - Frosted Glass

5. Remarks Bit, Blank-stand alone

Strip lighting ALT48



The default matching mounting brackets, angle adjustable, die cast aluminum, each lamp with two mounting brackets



DC 24V Comment Models parameter table (18~30VDC)

* The panel of this series is frosted glass, cascading models available

* When 24VDC Voltage input, 800mm models, suggested be in series no more than 2pcs



Model	L1	L2	Power	Current (24V)	Luminous flux	Stand alone/In Series	Wiring
ALT48W200-M	226	160	6.7W	0.28A	600lm	in Series*	Connector
ALT48W400-M	426	360	13.2W	0.55A	1200lm	in Series*	Connector
ALT48W600-M	626	560	20.6W	0.85A	1850lm	in Series*	Connector
ALT48W800-M	826	760	28W	1.1A	2400lm	in Series*	Connector

Wiring (24VDC Models)

Series	Pre-moulding connector	Pin out	Connector model	Wiring Diagram
ALT48 (24V)			*This model is 2m cable, the other length can be customized AK3-2M/P00 AK4-2M/P00 AK3 AZ3-2M/P00 (Double ended)	