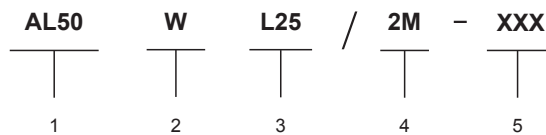


Waterproof and dustproof up to IP67, Small volume, High brightness, High quality local lighting



- Two different diameter dimensions 50mm and 64mm, to meet different customer needs
- Input voltage: 24V DC
- Lens type with higher brightness
- Robust housing, waterproof and dustproof up to IP67, Suitable for the wet and harsh environments
- Cabled and quick-disconnect models available
- 30mm foot-mounted or flex Arm Mounts



1. Series Name, AL50: diameter 50mm, BL64: diameter 64mm

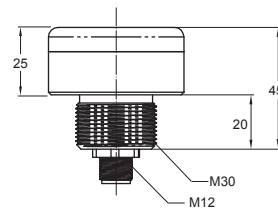
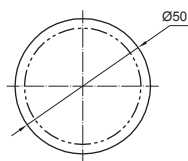
2. LED Color, W - Cool White 5700K, WW - Warm White 3500K, WP - Pure white 4000K

3. L25, The LED source with lens for spotlighting

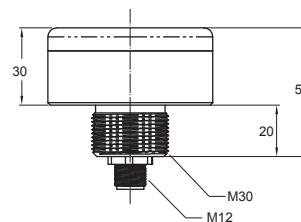
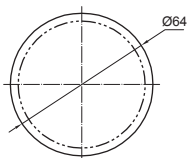
4. Wiring, Blank - M12x1 4-pin, 2M - 2m cable (For flex arm mounts only)

5. Remarks Bit, Blank-stand alone

AL50 Dimensions



AL64 Dimensions

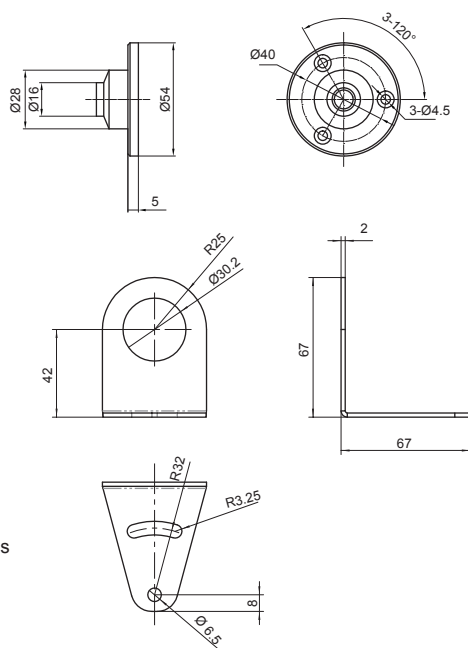


AL50 / 64 circular series



1. Flex Arm Mounts(For cabled models only)
Type NO.: ALZ-01

Reprovision bracket, Flex arm diameter 13mm, the default length 400mm, the angle can be adjusted, circular base.



2. Right-angle Bracket
Type NO.: ALZ-L01

Reprovision bracket, angle adjustable, 304 stainless steel, each lamp with a mounting bracket

DC 24V Comment Models parameter table (12~30VDC)



Model	Power	Current (24V)	Luminous flux	Beam angle	Window	Stand alone/In Series	Wiring
AL50WL25	2.5W	0.3A	200lm	30°	PC	Stand alone	Connector
AL50WL25/2M	2.5W	0.3A	200lm	30°	PC	Stand alone	2mCable
AL64WL25	4.2W	0.59A	330lm	40°	PC	Stand alone	Connector
AL64WL25/2M	4.2W	0.59A	330lm	40°	PC	Stand alone	2mCable

Wiring (24VDC Models)

Series	Pre-moulding connector	Pin out	Connector model	Wiring Diagram
AL50 (DC) AL64 (DC)			*This model is 2m cable, the other length can be customized AK3-2M/P00 AK4-2M/P00	